

PRODUCT DATA SHEET

150 mm Cell Culture Dish, TC Treated, Sterilized

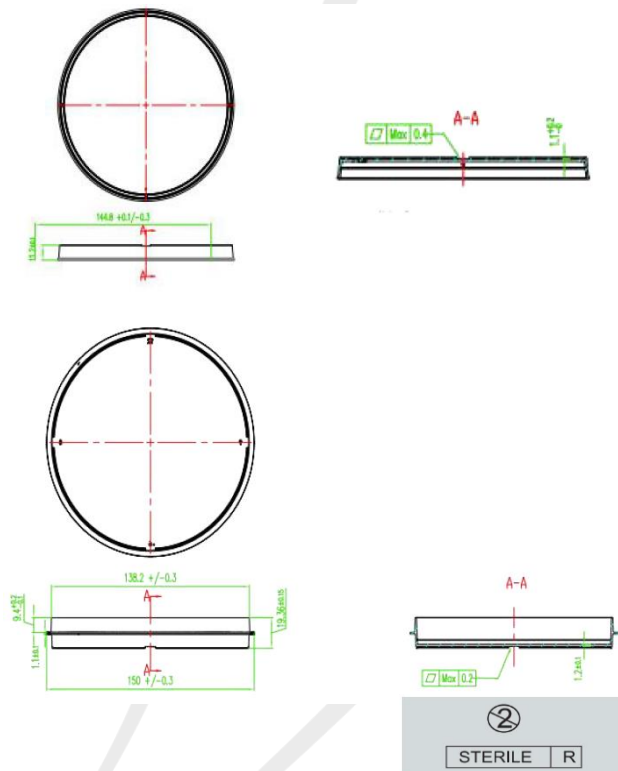


Purpose: Well-suited culture dish for various laboratory applications, including inoculation, marking, weighing, separation, and the treatment of tissues or cells.

Materials: PS (Polystyrene); color: clear

Features:

- Manufactured under ISO13485 and ISO9001.
- Uniform thickness, no distortion for excellent observation.
- Easy to grip with gear ring design, reduce the risk of contamination.
- The ring projection of the lid is closely connected to the base to facilitate storage and to reduce the volatilization of the medium.
- Open Cell Culture Dish lids with regular protrusions are available.
- Vacuum plasma surface treatment for ideal adhesion.
- pyrogen free, endotoxin free, cytotoxic free.
- Sterilized by gamma irradiation, SAL<10.
- Shelf Life: 3 years after the month of production.
- Manufactured in a Class 10,000 cleanroom environment.



General technical data

Description	150 mm Cell Culture Dish, TC Treated, Sterilized
Growth area (cm ²)	143.6
Sterile	Yes
Qty/Bag	5
Qty/CS	100

PRODUCT DATA SHEET

100 mm Cell Culture Dish, TC Treated, Sterilized

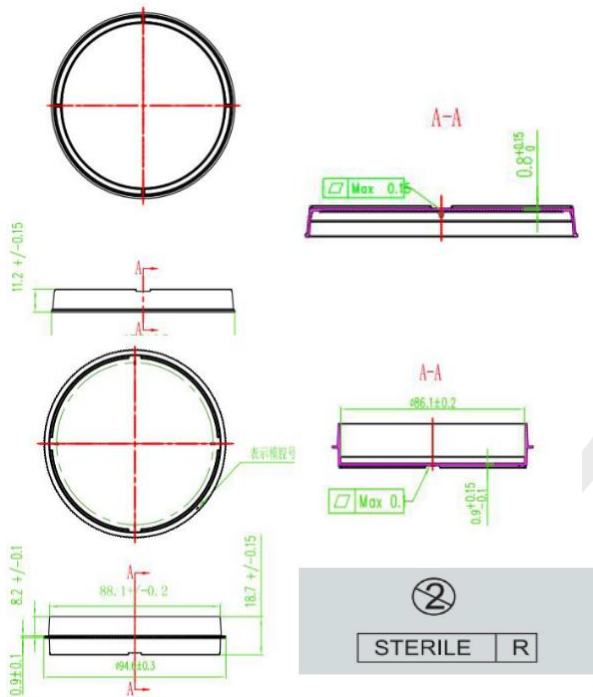


Purpose: Well-suited culture dish for various laboratory applications, including inoculation, marking, weighing, separation, and the treatment of tissues or cells.

Materials: PS (Polystyrene); color: clear

Features:

- Manufactured under ISO13485 and ISO9001.
- Uniform thickness, no distortion for excellent observation.
- Easy to grip with gear ring design, reduce the risk of contamination.
- The ring projection of the lid is closely connected to the base to facilitate storage and to reduce the volatilization of the medium.
- Open Cell Culture Dish lids with regular protrusions are available.
- Vacuum plasma surface treatment for ideal adhesion.
- pyrogen free, endotoxin free, cytotoxic free.
- Sterilized by gamma irradiation, SAL<10.
- Shelf Life: 3 years after the month of production.
- Manufactured in a Class 10,000 cleanroom environment.



General technical data

Description	100 mm Cell Culture Dish, TC Treated, Sterilized
Growth area (cm ²)	58
Sterile	Yes
Qty/Bag	10
Qty/CS	300

PRODUCT DATA SHEET

60 mm Cell Culture Dish, TC Treated, Sterilized

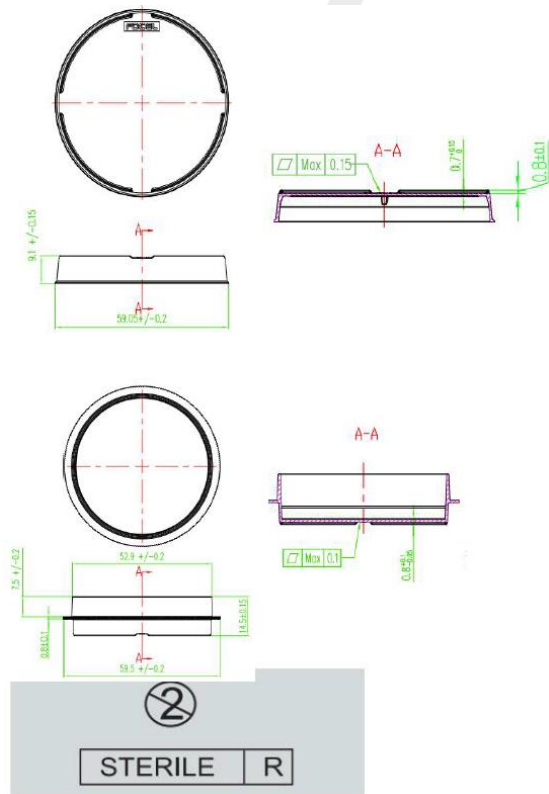


Purpose: Well-suited culture dish for various laboratory applications, including inoculation, marking, weighing, separation, and the treatment of tissues or cells.

Materials: PS (Polystyrene); color: clear

Features:

- Manufactured under ISO13485 and ISO9001.
- Uniform thickness, no distortion for excellent observation.
- Easy to grip with gear ring design, reduce the risk of contamination.
- The ring projection of the lid is closely connected to the base to facilitate storage and to reduce the volatilization of the medium.
- Open Cell Culture Dish lids with regular protrusions are available.
- Vacuum plasma surface treatment for ideal adhesion.
- pyrogen free, endotoxin free, cytotoxic free.
- Sterilized by gamma irradiation, SAL<10.
- Shelf Life: 3 years after the month of production.
- Manufactured in a Class 10,000 cleanroom environment.



General technical data

Description	60 mm Cell Culture Dish, TC Treated, Sterilized
Growth area (cm ²)	20
Sterile	Yes
Qty/Bag	10
Qty/CS	500